

➤ **Bolting Systems®**

# PE60 SERIES PUMP

**High Pressure Hydraulic Bolting Pump**



**SPXFLOW®**

# ENGINEERED TO DELIVER RELIABILITY

## Designed and Configured to Meet A Variety of Tough Bolting Applications.

The Bolting Systems PE60 Series Hydraulic Pump offers increased control technology, longer run-time, and “plug and play” accessory options. The PE60 Series pumps meet a wide array of high-pressure bolting tool applications where durability, speed and performance is required.

### Designed for

Torquing applications where hydraulic wrenches need to be driven manually or through a continuous cycle operation. The Bolting Systems PE60 Series Hydraulic Pump delivers the performance needed to improve productivity while keeping safety in mind.

### Value Delivered.

- Industry leading, field proven , Power Team Vanguard Pump technology
- Ergonomic remote pendant, large button design, requiring low finger depression force to operate, decreasing operator fatigue, IP55 rated
- “Plug and Play” field installable accessories
- User friendly LCD / Keypad interface to enable quick setup and maximize productivity
- Weather resistant shrouds for motor/electrical protection (IPX4)



## Large easy-to-use control panel. LCD interface option with high visibility in bright light.



Standard Control Panel

LCD Control Panel

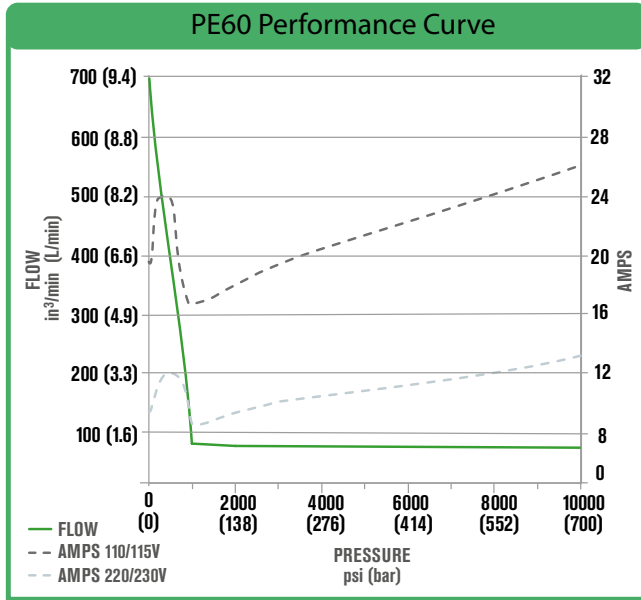
## Industry Leading heavy-duty pump for bolting applications

- LCD Models provide a host of information including digital pressure visibility, torque, run-time data and diagnostics, along with full control at the shroud and pendant.
- Standard or Intelligent Autocycle technology options for fast bolt/nut rundown
- True unloading valve achieves greater pump efficiency, allowing higher flow at maximum pressure.
- Reservoir size options available, refer to pump configuration page.
- Lightweight and portable. Best performance-to-weight ratio of all Bolting Systems pumps.
- 12 ft / 3m remote motor control Pendant
- Available in common voltages  
110/115V – 50/60 Hz  
220/230V – 50/60 Hz
- Optional accessories available, easily field installable (see Accessories page)

# PUMP TECHNOLOGY AT A GLANCE



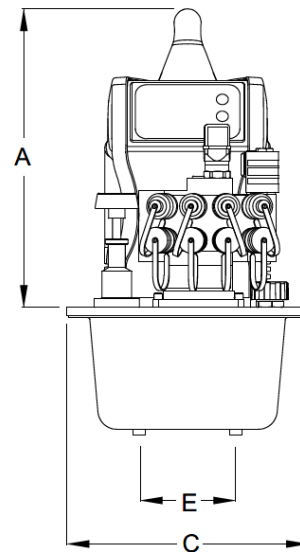
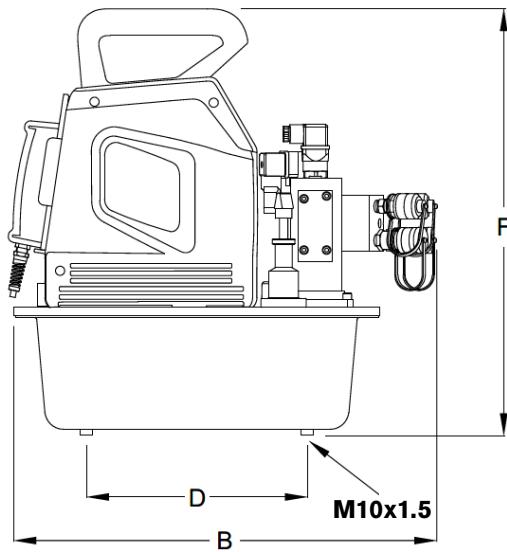
# TECHNICAL DIMENSIONS



PE602BE1P - 230VAC, 1-Tool



PE603BD1P - 115VAC, with LCD, 4-Tool



## Technical Specifications

A	B	C	D	E	F	Max Pressure Output Bar (psi)	RPM	dBA at Idle and Max Press	Amp Draw at Max Pressure	**Oil Delivery - l/min (cu.in/min) @				Wt* kg (lbs)
										7 Bar (100psi)	34 Bar (500psi)	345 Bar (5000 psi)	689 Bar (10000 psi)	
millimetres (inches)									230v (115v)					
334 (16.17)	474 (18.68)	271 (10.65)	248 (9.75)	108 (4.25)	477 (18.79)	700 (10,000)	12,000	83 / 91	14A (28A)	11.5 (700)	7.8 (475)	1.2 (70)	1.0 (60)	31.5 (69.4)

\* Weight typical for PE601BA1P, including oil

\*\* Delivery values may differ depending upon valve configuration

# CONFIGURATIONS

## Model Numbers / Ordering Information

Order Number	Pump Description	Function Control	Valve	LCD Equipped	Auto-cycle Capable	Usable Oil Capacity Litres (US Gal)
PE601BA1P	PE60 115 VAC 50/60 Hz, Single Phase, 1-Tool, 1.5 Gal	Remote Pendant	1-Port / 1-Tool	No	No	4.8 (1.28)
PE601BC1P	PE60 115 VAC 50/60 Hz, Single Phase, 4-Tool, 1.5 Gal	Remote Pendant	4-Port / 4-Tool	No	No	4.8 (1.28)
PE603BB1P	PE60 115 VAC 50/60 Hz, Single Phase, LCD-Autocycle, 1-Tool, 1.5 Gal	Remote Pendant	1-Port / 1-Tool	Yes	Yes	4.8 (1.28)
PE603BD1P	PE60 115 VAC 50/60 Hz, Single Phase, LCD-Autocycle, 4-Tool, 1.5 Gal	Remote Pendant	4-Port / 4-Tool	Yes	Yes	4.8 (1.28)
PE601BA2P	PE60 115 VAC 50/60 Hz, Single Phase, 1-Tool, 2.5 Gal	Remote Pendant	1-Port / 1-Tool	No	No	8.7 (2.30)
PE601BC2P	PE60 115 VAC 50/60 Hz, Single Phase, 4-Tool, 2.5 Gal	Remote Pendant	4-Port / 4-Tool	No	No	8.7 (2.30)
PE603BB2P	PE60 115 VAC 50/60 Hz, Single Phase, LCD-Autocycle, 1-Tool, 2.5 Gal	Remote Pendant	1-Port / 1-Tool	Yes	Yes	8.7 (2.30)
PE603BD2P	PE60 115 VAC 50/60 Hz, Single Phase, LCD-Autocycle, 4-Tool, 2.5 Gal	Remote Pendant	4-Port / 4-Tool	Yes	Yes	8.7 (2.30)
PE602BE1P	PE60 230 VAC 50/60 Hz, Single Phase, 1-Tool, 1.5 Gal	Remote Pendant	1-Port / 1-Tool	No	No	4.8 (1.28)
PE602BG1P	PE60 230 VAC 50/60 Hz, Single Phase, 4-Tool, 1.5 Gal	Remote Pendant	4-Port / 4-Tool	No	No	4.8 (1.28)
PE604BF1P	PE60 230 VAC 50/60 Hz, Single Phase, LCD-Autocycle, 1-Tool, 1.5 Gal	Remote Pendant	1-Port / 1-Tool	Yes	Yes	4.8 (1.28)
PE604BH1P	PE60 230 VAC 50/60 Hz, Single Phase, LCD-Autocycle, 4-Tool, 1.5 Gal	Remote Pendant	4-Port / 4-Tool	Yes	Yes	4.8 (1.28)
PE602BE2P	PE60 230 VAC 50/60 Hz, Single Phase, 1-Tool, 2.5 Gal	Remote Pendant	1-Port / 1-Tool	No	No	8.7 (2.30)
PE602BG2P	PE60 230 VAC 50/60 Hz, Single Phase, 4-Tool, 2.5 Gal	Remote Pendant	4-Port / 4-Tool	No	No	8.7 (2.30)
PE604BF2P	PE60 230 VAC 50/60 Hz, Single Phase, LCD-Autocycle, 1-Tool, 2.5 Gal	Remote Pendant	1-Port / 1-Tool	Yes	Yes	8.7 (2.30)
PE604BH2P	PE60 230 VAC 50/60 Hz, Single Phase, LCD-Autocycle, 4-Tool, 2.5 Gal	Remote Pendant	4-Port / 4-Tool	Yes	Yes	8.7 (2.30)



## “PLUG & PLAY” AFTERMARKET ACCESSORIES

### Oil Cooler Kits

Order No.	Description
3001177	Oil Cooler kit designed for use with PE60 pumps with 115VAC Wt. 3.4kg (7.5lbs)
3001183	Oil Cooler kit designed for use with PE60 pumps with 230VAC Wt. 3.4kg (7.5lbs)

### Roll Cage

Order No.	Description
3001185	Roll Cage for use with PE60 pumps Wt. 4.5kg (10lbs)



### CUSTOMER SERVICE CENTERS

**Rockford, Illinois USA**  
5885 11th Street  
Rockford, IL 61109 USA  
Tel: +1 815 874 5556  
Fax: +1 800 288 7031  
info@spxboltingsystems.com

**Gonzales, Louisiana USA**  
3141 S. Darla Avenue  
Gonzales, LA 70737 USA  
Tel: +1 225 774 0888  
Fax: +1 225 450 2211  
louisiana@spxboltingsystems.com

**Houston, Texas USA**  
3106 E. Pasadena Frwy  
Pasadena, TX 77503 USA  
Tel: +1 713 472 2500  
Fax: +1 713 472 2501  
houston@spxboltingsystems.com

**Corpus Christi, Texas USA**  
4930 Gemini Street  
Corpus Christi, TX 78405 USA  
Tel: +1 361 445 3727  
Fax: +1 361 445 3728  
corpus.christi.sc@spxboltingsystems.com

**Europe**  
Albert Thijsstraat 12  
6471 WX Eygelshoven  
The Netherlands  
Tel: +31 45 567 8877  
Fax: +31 45 567 8878  
europe@spxboltingsystems.com

**India**  
SPX Flow Technology (India)  
Pvt. Limited Survey No. 275  
Odhav, Ahmedabad - 382 415  
Tel: +91 99099 85454  
Fax: +91 97277 19950  
india@spxboltingsystems.com

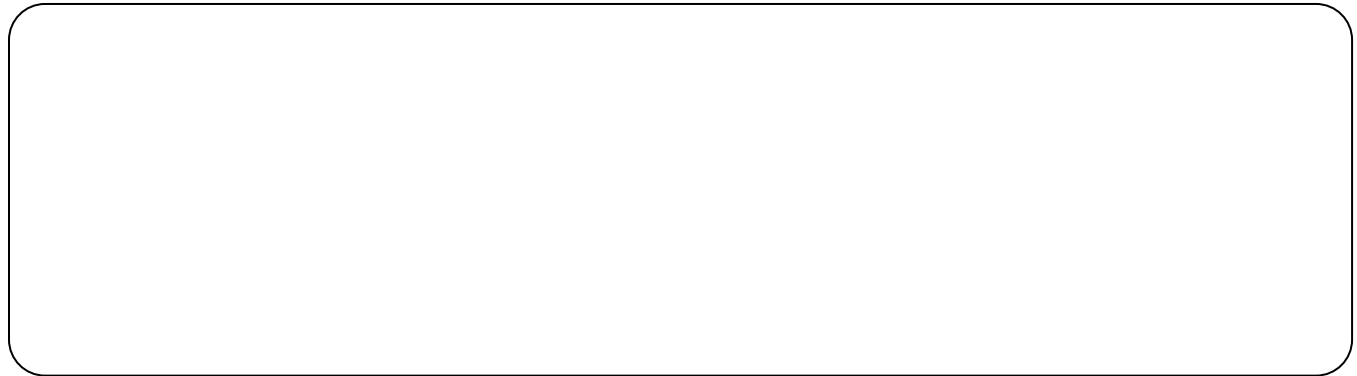
**Global Technical Bolting Support**  
boltingsupport@spxflow.com

**South East Asia**  
20 Pioneer Crescent #06-01,  
West Park BizCentral  
Singapore 628555  
Tel: +65 6265 3343  
Fax: +65 6265 6646  
singapore@spxboltingsystems.com

**China**  
7F Treasury Building  
1568 Hua shan Road  
Shanghai, 200052 China  
Tel: +86 21 2208 5660  
Fax: +86 21 2208 5682  
china@spxboltingsystems.com

**Australia**  
SPX Flow Technology  
Australia Pty. Ltd.  
211 Atlantic Drive  
Keysborough, Victoria, 3173  
Tel: +61 02 9763 4900  
Fax: +61 02 9763 7888  
ft.aus.cs@spxflow.com

Distributed by:



SPX FLOW, Inc. reserves the right to incorporate our latest design and material changes without notice or obligation. Design features, materials of construction and dimensional data, as described in this bulletin, are provided for your information only and should not be relied upon unless confirmed in writing. Please contact your local sales representative for product availability in your region. The green “>” is a trademark of SPX FLOW, Inc.

For more information, visit [www.spxflow.com](http://www.spxflow.com).

